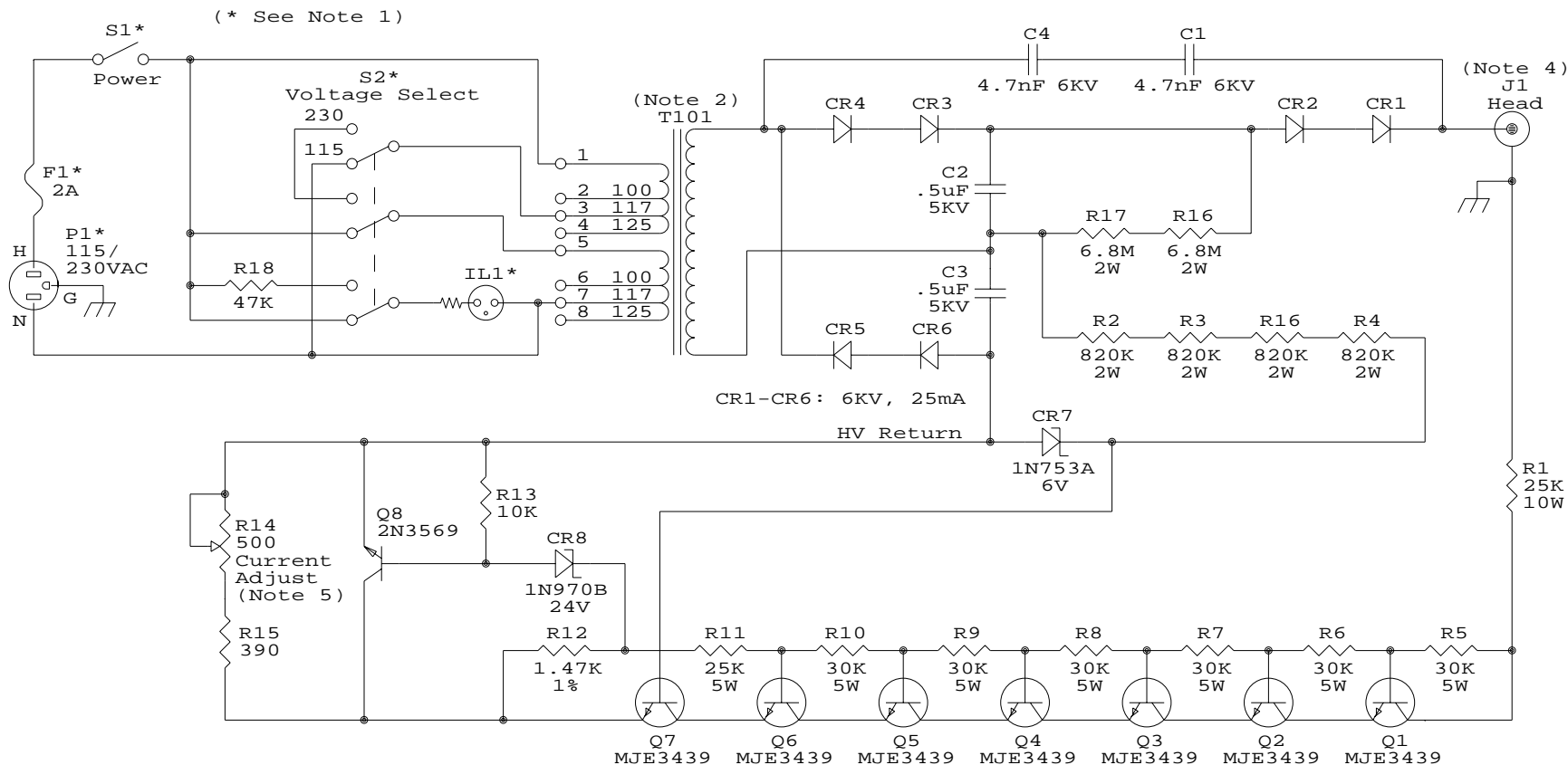


# Spectra-Physics Model 255 Exciter (SP-255)



## Notes:

1. Parts marked with a "\*" may not be present in OEM version.
2. Actual line voltage may be jumpered for 100/200VAC, 117/234VAC, or 125/250VAC.
3. Time delay relay in primary circuit not shown.
4. Plasma tube includes three series anode ballast resistors inside glass envelope, each 27K, 11W.
5. Current range is approximately 6.5 to 15 mA.
6. There have been several revisions with minor changes.

Drawn by: Samuel M. Goldwasser

[sam@repairfaq.org](mailto:sam@repairfaq.org)

Title		
Spectra-Physics Model 255 Exciter (SP-255)		
Size	Document Number	REV
A	255-PWR-SCH	1.1
Date:	April 19, 2001	Sheet 1 of 1