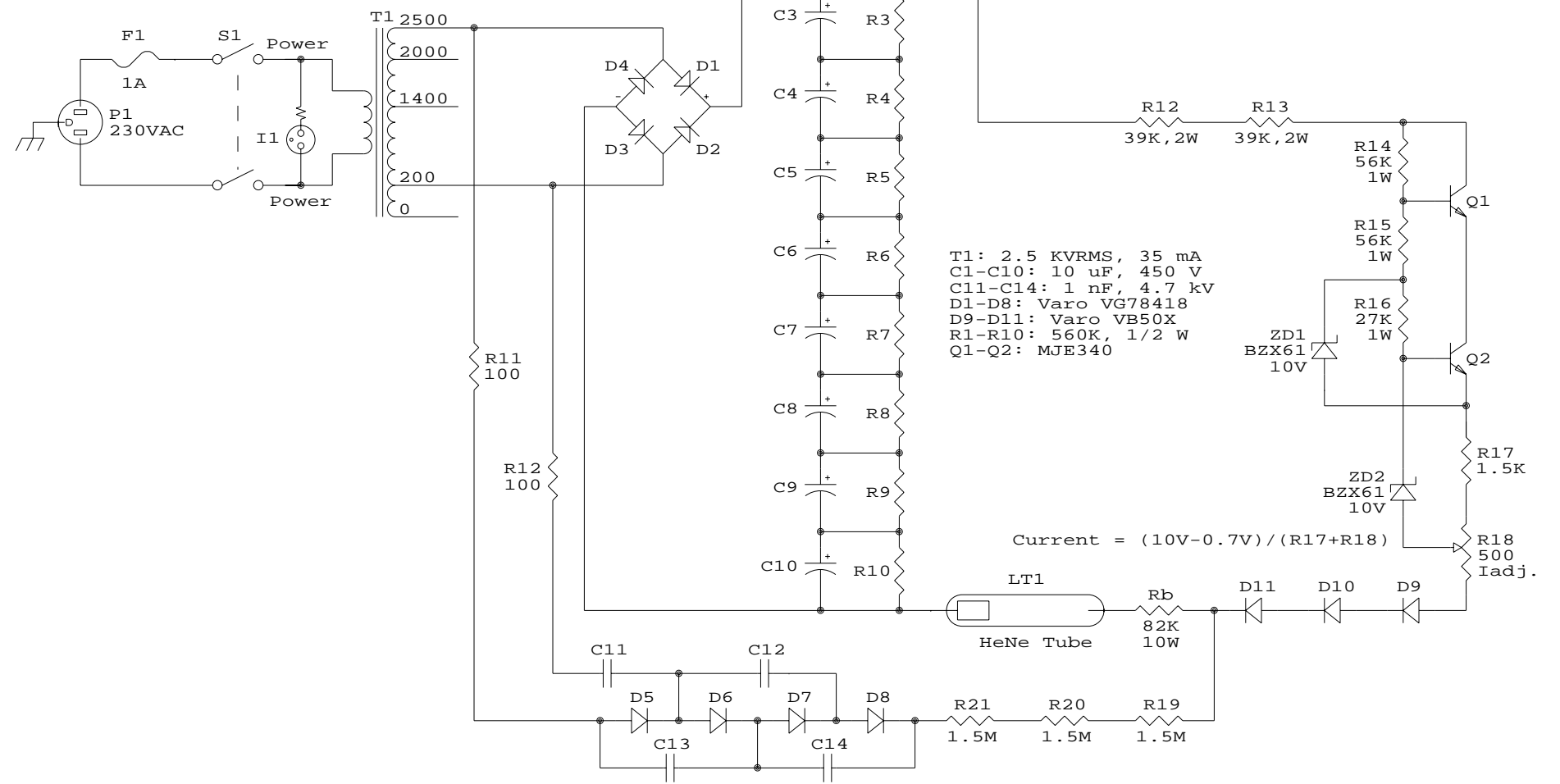


Scientifica-Cook 760 HeNe Laser (SC-760)



T1: 2.5 KVRMS, 35 mA
 C1-C10: 10 uF, 450 V
 C11-C14: 1 nF, 4.7 kV
 D1-D8: Varo VG78418
 D9-D11: Varo VB50X
 R1-R10: 560K, 1/2 W
 Q1-Q2: MJE340

$$\text{Current} = (10\text{V} - 0.7\text{V}) / (\text{R17} + \text{R18})$$

Drawn by: Sam Goldwasser sam@repairfaq.org		
Reverse Engineered by: Robert Reay		
Title		
Scientifica-Cook 760 HeNe Laser (SC-760)		
Size	Document Number	REV
A	SC-760-SCH	1.0
Date:	February 21, 2003	Sheet 1 of 1