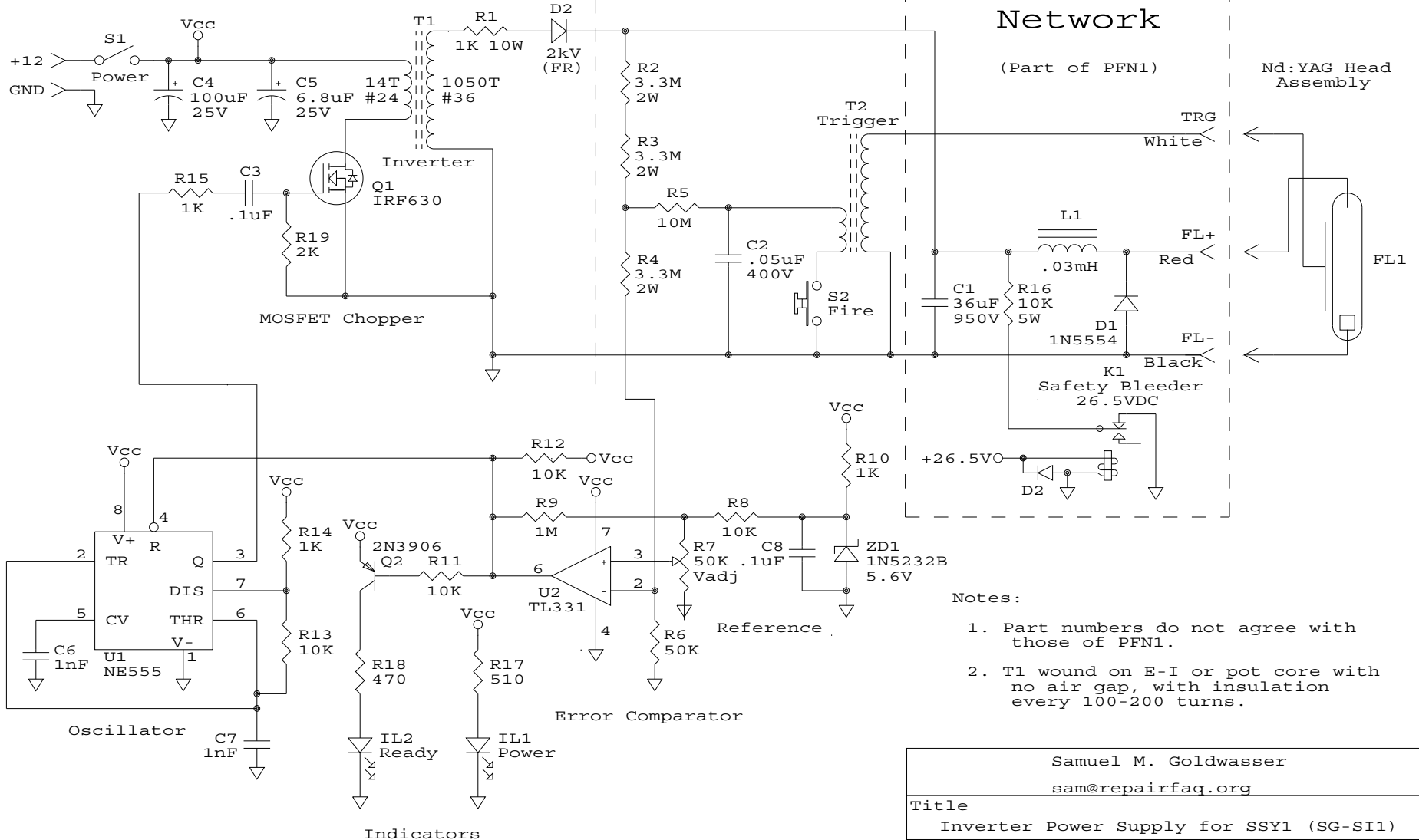


Inverter Power Supply for SSY1 (SG-SI1)

Capacitor Charger

Trigger Circuit

Pulse Forming Network



- Notes:
1. Part numbers do not agree with those of PFN1.
 2. T1 wound on E-I or pot core with no air gap, with insulation every 100-200 turns.

Samuel M. Goldwasser		
sam@repairfaq.org		
Title		
Inverter Power Supply for SSY1 (SG-SI1)		
Size	Document Number	REV
A	SG-SI1-SCH	1.1
Date:	May 26, 2010	Sheet 1 of 1

