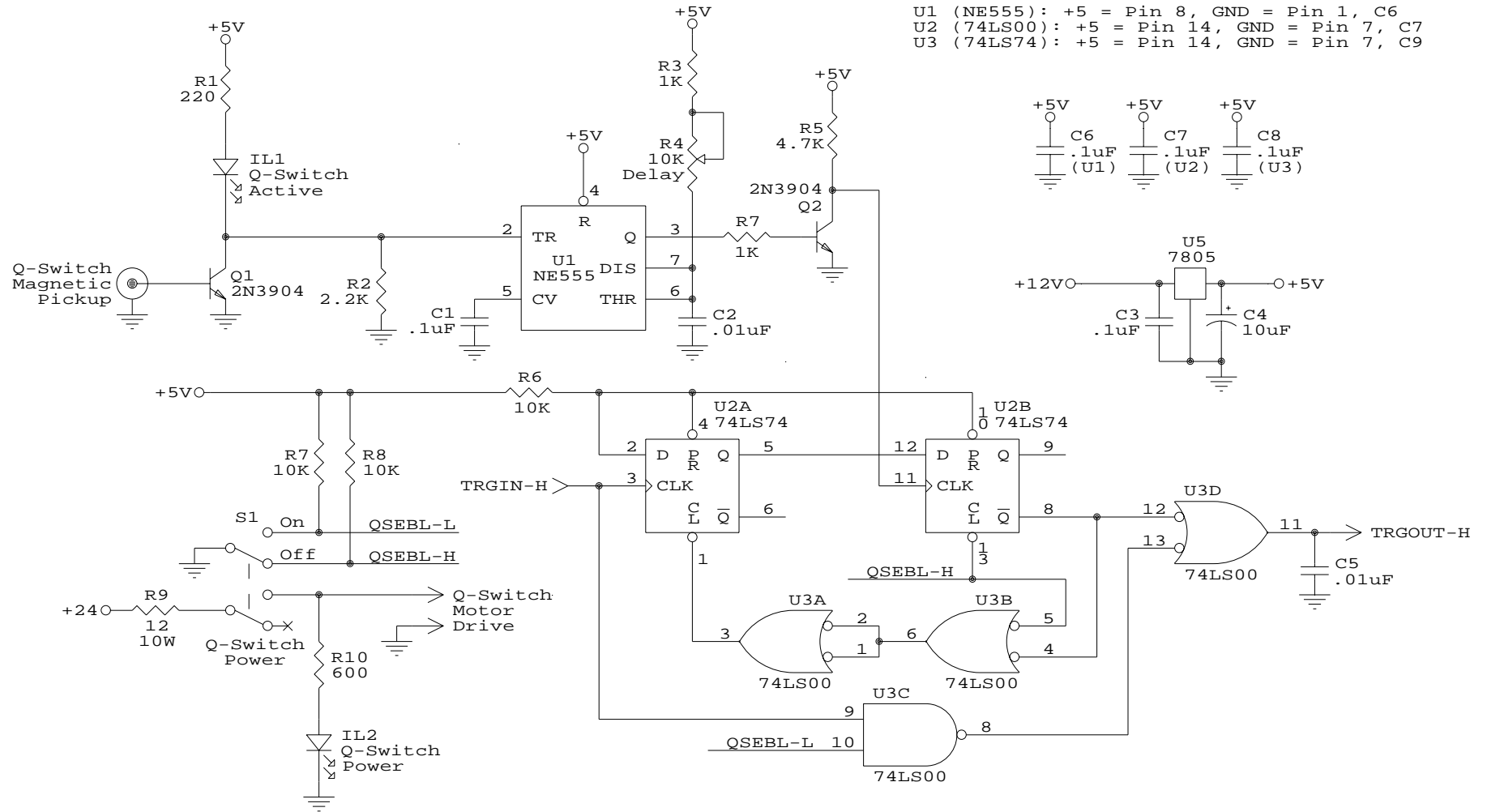


# Sam's Q-Switch Trigger Circuit (SG-ST1)

IC Power Connections and Bypass Capacitors:

U1 (NE555): +5 = Pin 8, GND = Pin 1, C6  
 U2 (74LS00): +5 = Pin 14, GND = Pin 7, C7  
 U3 (74LS74): +5 = Pin 14, GND = Pin 7, C9



Samuel M. Goldwasser		
sam@repairfaq.org		
Title Sam's Q-Switch Trigger Circuit (SG-ST1)		
Size	Document Number	REV
A	SG-ST1-SCH	1.0
Date:	July 25, 2000	Sheet 1 of 1